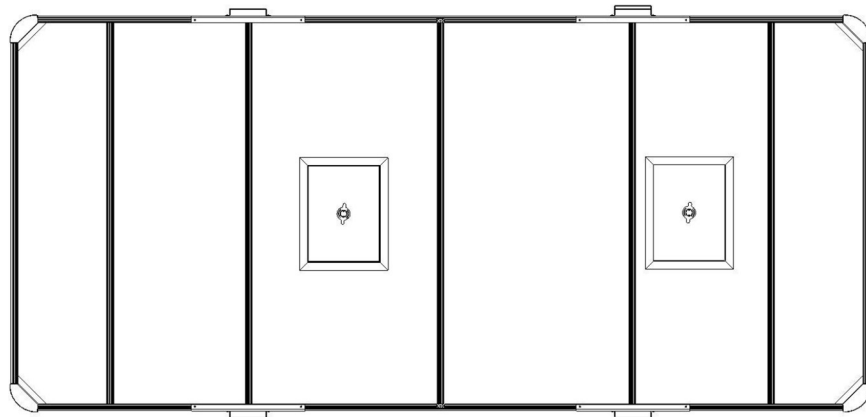


Leaking roof

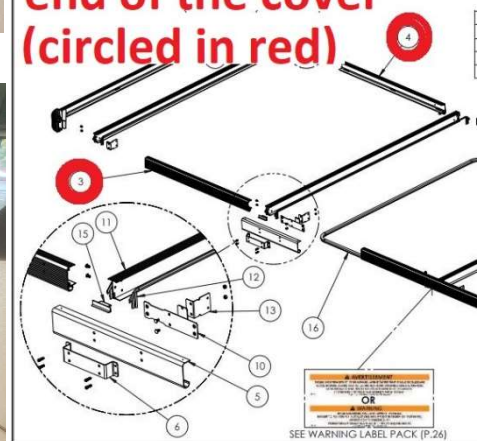
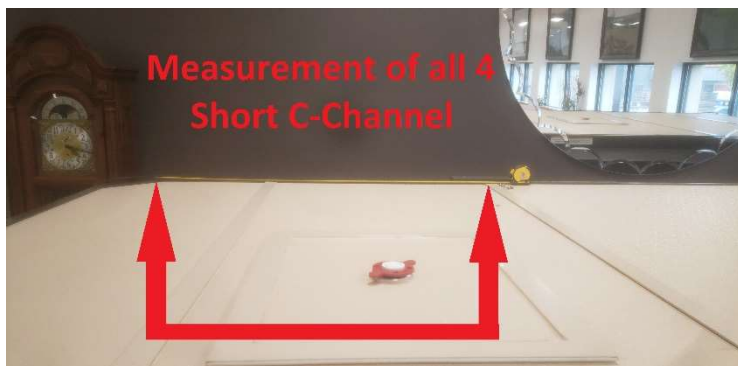
In case of leaking roof, Covana need the following information's.

1. Measurements

- Measure of the gap at each end of each I-Beam
- Measure of the length of the shorts C-channels

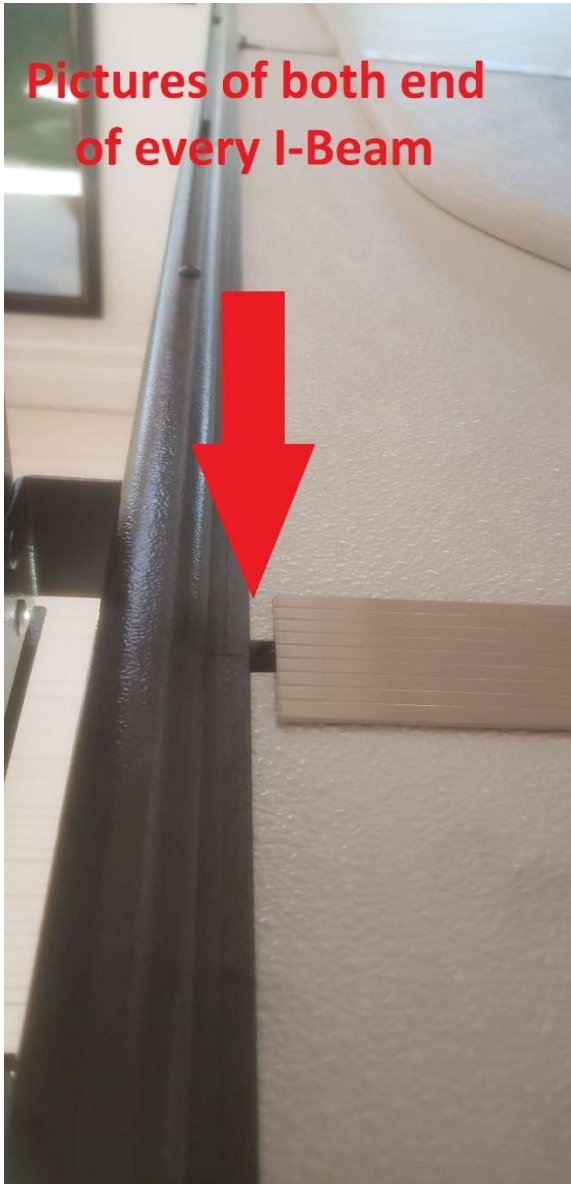


Measure the 2 short C-Channel, at each end of the cover (circled in red)



SEE WARNING LABEL PACK (P.26)

2. Pictures of both end of every I-Beam



3. Video of the leaking roof

-Gently water the cover with a garden hose and videotape the leaking showing each i-beam.

4. Pictures of the surrounding

-Pictures showing what is around the cover that might interfere with the efficiency of the cover.