

PRODUCT MODELS*

- Evolution Cover
 - Oasis Cover
- *Specifically, the chains of the G3 generation jack (with a hole on the side of the jack).

PURPOSE OF THE REPAIR PROCEDURE

This repair procedure should be performed if the cover is “bouncing”.

Version française à la page 3.

PREPARATION

- Gather the required tools, as seen in the table below.

TOOLS REQUIRED	
3/16" (5 mm) Allen key	52" long lumber
Hammer	U237X tension gauge Covana part no. 244268
Flat blade screwdriver	

⚠ WARNING

This procedure must be performed by a certified Covana installer.

Make sure that the appropriate breaker is at off position in the electrical panel and keep the key out of the key switch socket at all times. The certified Covana installer must keep control of the key during the repair procedure. Derogation from this directive could cause serious injury or damage the cover.

STEP BY STEP PROCEDURE

- 1) Raise the cover to its highest position.
- 2) Loosen the Phillips M6 x 20 mm screw at the bottom of one of the posts. **Do not remove the screw.**
- 3) Pull up the sleeves of the post until the adjustment screw of the jack is accessible, and put the 52" long lumber underneath the sleeves to hold them in place (see image 1).

⚠ WARNING

Slowly and gently pull up the sleeves to prevent injuries.

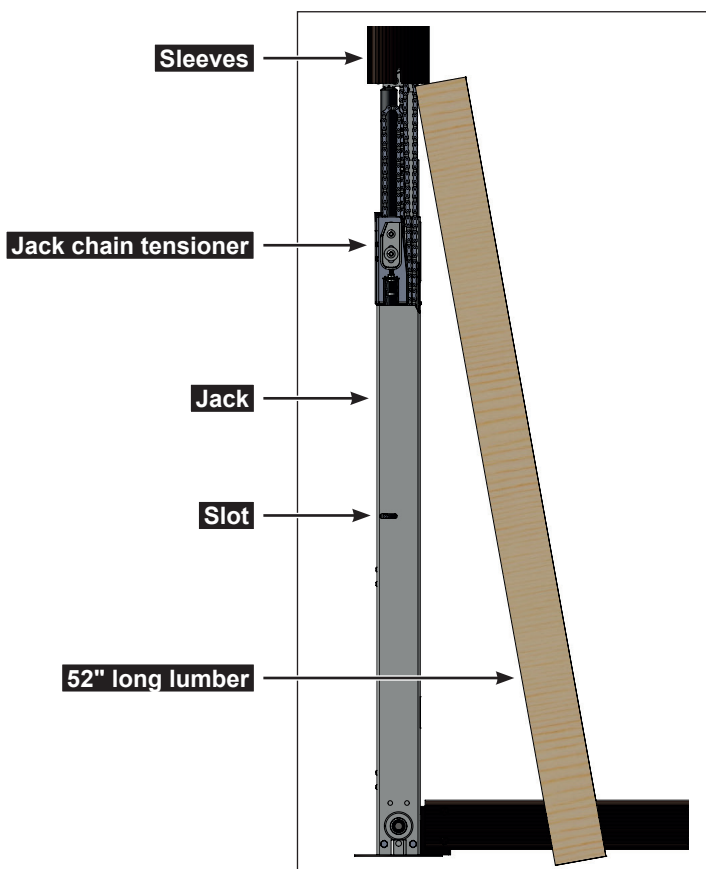


IMAGE 1

NOTE

Each telescopic post is made of one jack and three sleeves.

- 4) Place the o-ring at the base of the plunger rod (position 0).

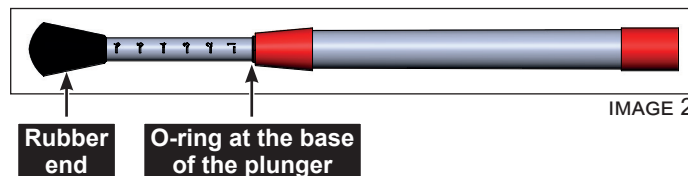


IMAGE 2

- 5) Insert the rubber end of the tension gauge in the hole located on the side of the jack. Push until the edge of the chain is aligned with the end of the slot (see "A" in image 3).

NOTE

To simplify the image, the other chains has been hidden.

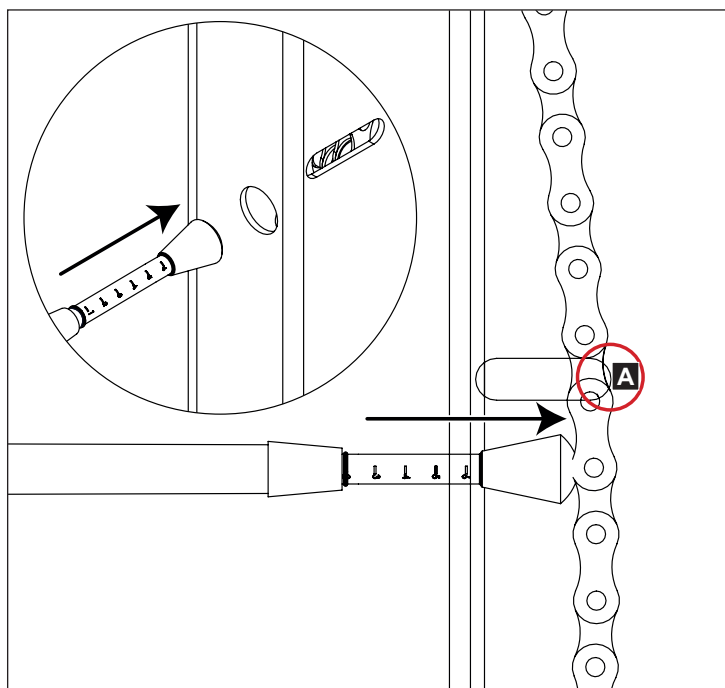


IMAGE 3

- 6) Remove the tension gauge from the hole and read the tension on the graduated section. The tension should be 2 lb. If the tension is over or under 2 lb., proceed with the next steps.
- 7) Untighten (DO NOT REMOVE) the carriage locking screw (see image 4) of the tensioner carriage with the Allen key.
- 8) Loosen the adjustment screw lock nut (see image 4) to easily move the adjustment screw.

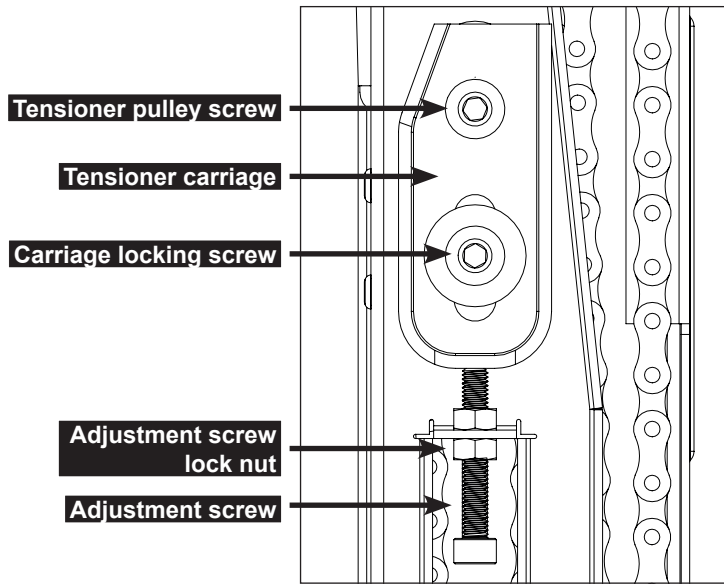


IMAGE 4

- 9) Use the Allen key to turn the adjustment screw (see image 4). Turn clockwise if the tension is **under** 2 lb. or counterclockwise if it is **over** 2 lb.

⚠ CAUTION

When executing step 9, make sure that the tensioner carriage stays in contact with the adjustment screw after each setting. To do so, place the extremity of a flat blade screwdriver on the bottom edge of the tensioner carriage and hit the top of the screwdriver with a hammer to eliminate the gap (see image 5).

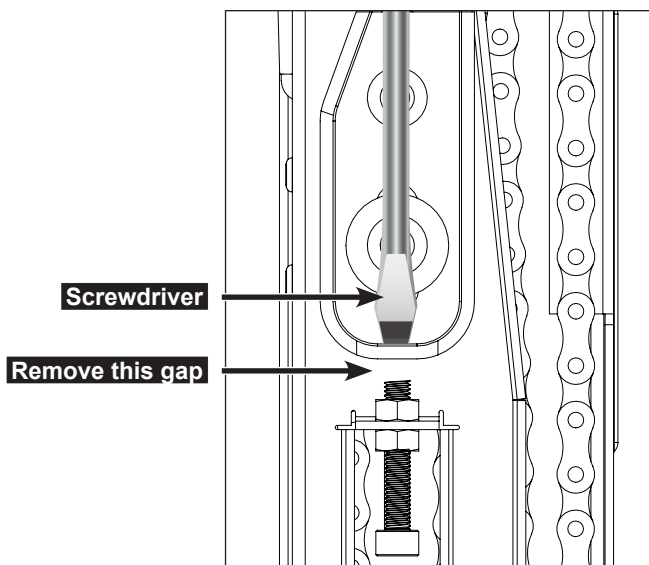


IMAGE 5

⚠ WARNING

When executing step 9, ensure the adjustment screw doesn't go underneath the carriage plate of the tensioner.

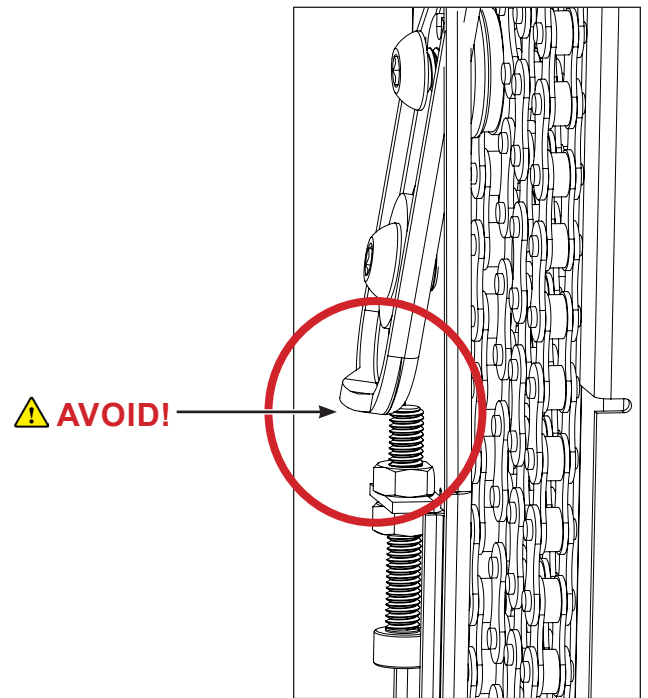


IMAGE 6

- 10) Repeat steps 4 to 6 to get the new tension of the chain.
- 11) If the tension is still over or under 2 lb., repeat step 9. When the tension reaches 2 lb., proceed with the next steps.
- 12) Secure the adjustment screw lock nut (see image 4).
- 13) Retighten the carriage locking screw with the Allen key (see image 4).
- 14) Bring down the sleeves of the post.

⚠ WARNING

Slowly bring the sleeves back down to prevent either hand injuries or damaging the unit.

- 15) Tighten the Phillips screw at the bottom of the post.
- 16) Operate the cover up and down twice, and put it back to its highest position.
- 17) Repeat steps 2 to 16 for the three other posts, one post at a time.
- 18) Put the power back on and the key back in its key switch socket. Operate the spa cover normally to see if everything is correct. The previous steps should have resolved the bouncing issue of the cover. If the bouncing problem persists, call Covana for the Technical Support department.

IMPORTANT

Close the cover and reinstall the all-weather seals in their original position; i.e., in contact with the outer sleeve of every post.