

PRODUCT MODEL

Oasis Cover

PURPOSE OF THE REPLACEMENT PROCEDURE

This repair procedure should be performed when the replacement of the inner shell steel frame plate is required on the Oasis spa cover.

PREPARATION

- Gather the required tools, as seen in the table at right.
- Make sure the parts kit is complete and that parts have not been damaged during transport. Call your local dealer if parts need to be replaced.

TOOLS REQUIRED

Phillips screwdriver	36" long level
Drill	

PARTS KIT NO. 226567

2 x Plate with threaded inserts	4 x 10-24 Hex nut
4 x No. 10-24 x 1/2" Phillips Thread-cutting screw	

Version française à la page 3.

⚠ WARNING

This procedure must be performed by a certified Covana installer.

Keep the key out of the key switch socket at all times. The certified Covana installer must keep control of the key during the repair procedure. Derogation from this directive could cause serious injury or damage the cover.

STEP BY STEP PROCEDURE

A- REMOVING THE DEFECTIVE PLATE

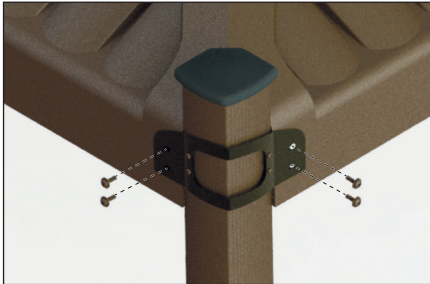
- 1) Lower the cover (fully closed) and ensure it is sitting on the spa completely.
- 2) Remove the four M6 x 20 mm bolts and 5/16" painted metal washers from each post to separate the cover from its posts. **Do not discard!** Leave the bracket attached to the sleeve. 

IMAGE 1

- 3) With the help of another person, separate the cover in two parts to be able to remove the outer shell. To do so, push inwards on the steel frame of the inner shell; this will clear the metal inserts from the outer shell slots to give better leverage. Then, carefully lift the outer shell from the cover and put it aside, in a safe place (see image 2).

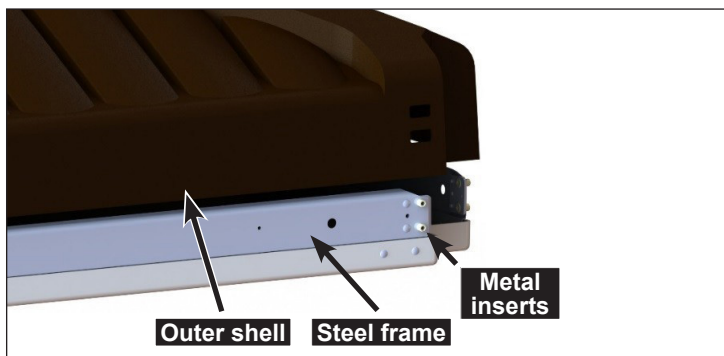


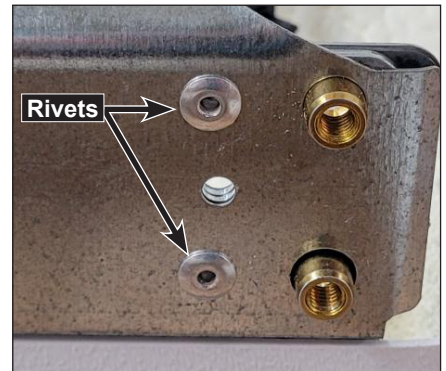
IMAGE 2

⚠ CAUTION

Ensure all the screws from step 2 are removed.

When handling the cover, two people must support the outer shell with both hands. A wide grip is recommended when handling the cover, as all four sides must be lifted equally.

Failure to follow these instructions will cause permanent damage to the outer shell.

- 4) Using a drill, drill out both rivets from the defective corner. 

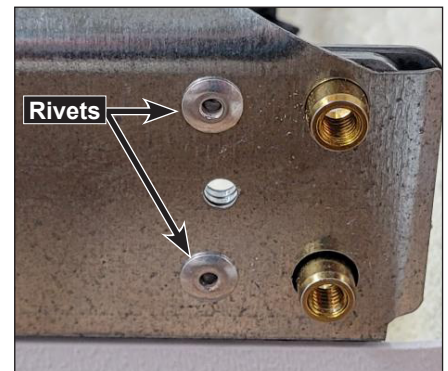
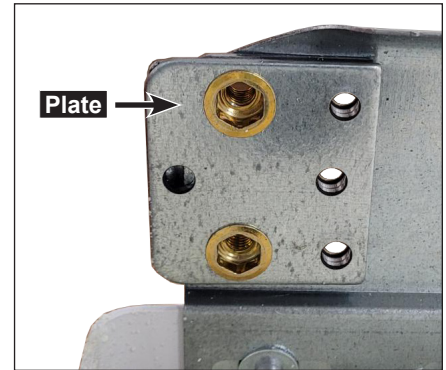


IMAGE 3

- 5) Remove the defective plate. **Keep the spacer.** 

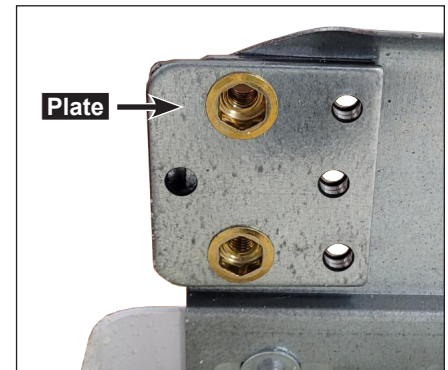


IMAGE 4

- 6) Repeat steps 4 and 5 for the other corners if need be.

B- INSTALLING THE NEW PLATE

ID	DESCRIPTION
A	Plate with inserts
B	Hex nut
C	Phillips screw

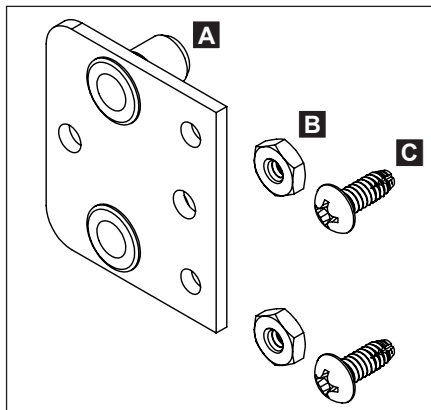


IMAGE 5

1) Insert the new plate in the steel frame making sure to place the previously removed spacer between the plate and the frame.

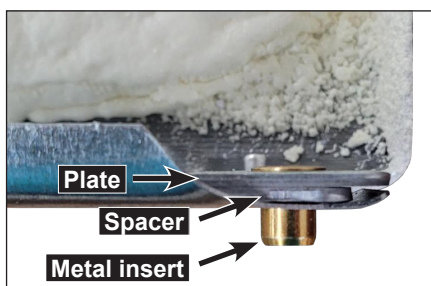


IMAGE 6

2) Secure the new plate using two hex nuts and two thread-cutting screws.

⚠ CAUTION
 Make sure the head of the screw is on the outside of the steel frame and the nut is on the inside. Do not reverse.

3) Repeat steps 1 and 2 for the other corners if need be.

C- REINSTALLING THE OUTER SHELL

1) Slide the outer shell back on the inner shell. Ensure no wires are pinched in between both shells and that the inserts from the inner frame are going through the outer shell slots on all four sides of the cover.

⚠ CAUTION
 When installing the outer shell, ensure that all the steel frames are inside of it. In addition, check all the metal inserts before continuing.
 When handling the cover, two people must support the outer shell with both hands. A wide grip is recommended when handling the cover, as all four sides must be lifted equally.
 Failure to follow these instructions will cause permanent damage to the outer shell.

2) Fasten the corner bracket to the cover (following the A to D pattern as shown at right) with four Phillips M6 x 20 mm bolts and 5/16" painted metal washers per post.

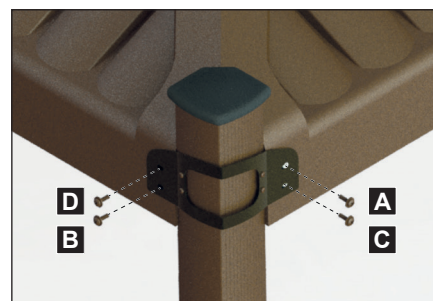


IMAGE 7

3) Repeat step 2 for each remaining corner bracket, following the order of installation (1 to 4) as seen in image 8.



IMAGE 8

4) Verify the installation of each bracket by sliding the middle sleeve up and down by hand. Make sure it slides without scratching or interfering with the inner or outer sleeve. If all seems to function properly, lower the cover and check if the sleeves are level using a 36" level on both sides of the sleeves.

5) Put the key back in its key switch socket. Operate the spa cover normally to see if everything is correct. If there is any issue with the cover, please refer to the troubleshooting section of the Owner's manual or call Covana for the Technical Support department.