

PRODUCT MODEL

Oasis Cover

PURPOSE OF THE REPAIR PROCEDURE

This repair procedure should be performed when the replacement of the lighting push-button is required on the Oasis spa cover.

PREPARATION

- Make sure the parts kit is complete and that parts have not been damaged during transport. Call your local dealer if parts need to be replaced.
- Gather the required tools, as seen in the table at right.

PARTS KIT NO. 226581 (solar energy) / 226681 (AC powered)

1 x Push-button switch

1 x Light harness

TOOLS REQUIRED

Phillips screwdriver

36" long level

⚠ CAUTION

Keep in mind that the screws may break or strip if the torque is too much when using power tools.

Version française à la page 3.

⚠ WARNING

This procedure must be performed by a certified Covana installer. **It is mandatory that 2 people perform this procedure**

Make sure that the appropriate breaker is at off position in the electrical panel and keep the key out of the key switch socket at all times. The certified Covana installer must keep control of the key during the repair procedure. Derogation from this directive could cause serious injury or damage the cover.

STEP BY STEP PROCEDURE

A- REMOVING THE DEFECTIVE PUSH-BUTTON

- 1) Lower the cover (fully closed) and ensure it is sitting on the spa completely.

- 2) Remove the four M6 x 20 mm bolts and 5/16" painted metal washers from each post to separate the cover from its posts.

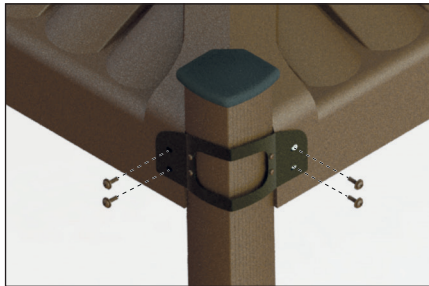


IMAGE 1

Do not discard! Leave the bracket attached to the sleeve.

- 3) With the help of another person, separate the cover in two parts to be able to remove the outer shell. To do so, push inwards on the steel frame of the inner shell; this will clear the metal inserts from the outer shell slots to give better leverage (see image 2). Then, carefully lift the outer shell from the cover and put it aside, in a safe place.

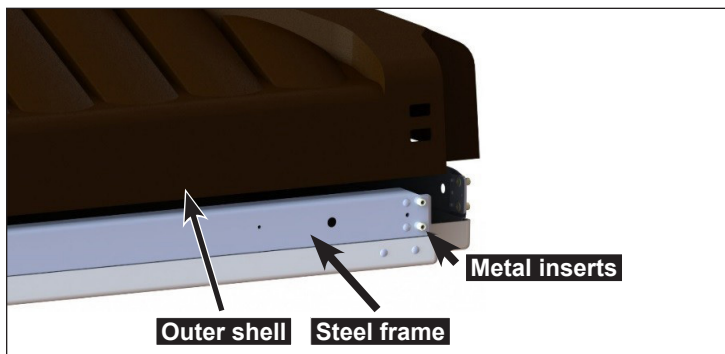


IMAGE 2

⚠ CAUTION

Ensure all the screws from step 2 are removed.

When handling the cover, two people must support the outer shell with both hands. A wide grip is recommended when handling the cover, as all four sides must be lifted equally.

Failure to follow these instructions will cause permanent damage to the outer shell.

- 4) Using a Phillips screwdriver, loosen both screws from the defective push-button and gently pull the black and white wires out of the push-button.

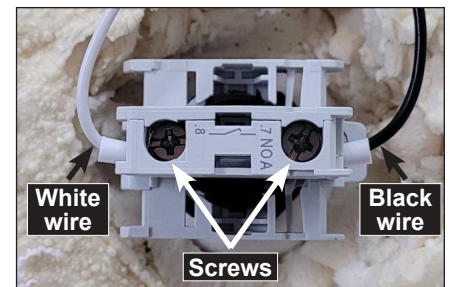


IMAGE 3

- 5) Detach part D from part C. Then, detach part C from the push-button (A). Finally, unscrew the plastic ring (B) to remove the defective push-button from the inner shell.

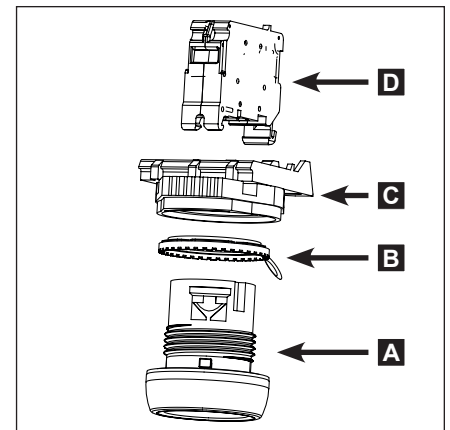


IMAGE 4

B- INSTALLING THE NEW PUSH-BUTTON

- 1) Insert the new push-button (A) from under the inner shell while screwing the plastic ring (B) from the top of the inner shell to hold the push-button in place.

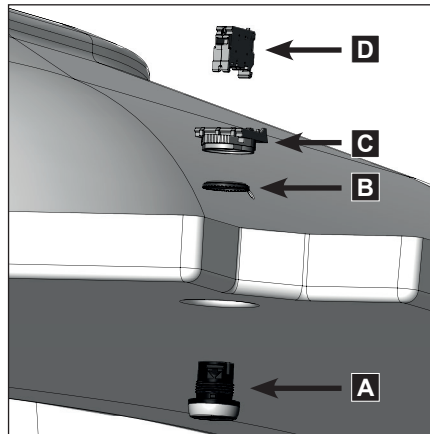


IMAGE 5

- 2) Snap part C on top of the push-button (A) (see image 5).
- 3) Snap part D on part C (see image 5).

- 4) Insert the black and white wires on each side of the push-button. Using a Phillips screwdriver, tighten both screws on top of the push-button.

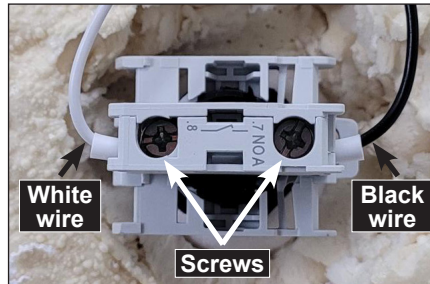


IMAGE 6

- 5) Put the power back on.
- 6) Push the push-button to ensure the lights are working. If everything is correct, turn off the lights and proceed with the reinstallation of the outer shell (section C).

C- REINSTALLING THE OUTER SHELL

- 1) Slide the outer shell back on the inner shell. Ensure no wires are pinched in between both shells and that the inserts from the inner frame are going through the outer shell slots on all four sides of the cover.

⚠ CAUTION

When installing the outer shell, ensure that all the steel frames are inside of it. In addition, check all the metal inserts before continuing.

When handling the cover, two people must support the outer shell with both hands. A wide grip is recommended when handling the cover, as all four sides must be lifted equally.

Failure to follow these instructions will cause permanent damage to the outer shell.

- 2) Fasten the corner bracket to the cover (following the A to D pattern as shown at right) with four Phillips M6 x 20 mm bolts and 5/16" painted metal washers per post.

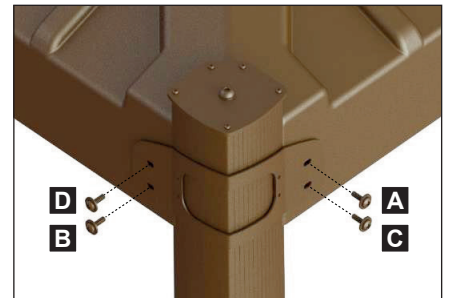


IMAGE 7

- 3) Repeat step 2 for each remaining corner bracket, following the order of installation (1 to 4) as shown at right.

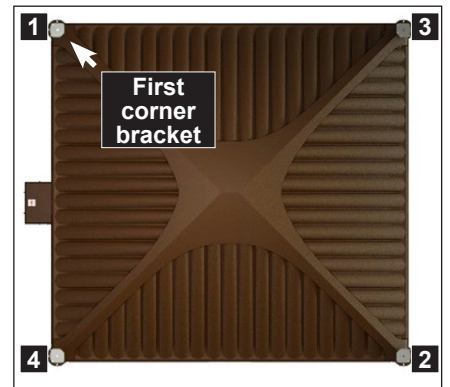


IMAGE 8

- 4) Verify the installation of each bracket by sliding the middle sleeve up and down by hand. Make sure it slides without scratching or interfering with the inner or outer sleeve. If all seems to function properly, lower the cover and check if the sleeves are level using a 36" level on both sides of the sleeves.
- 5) Put the key back in its key switch socket. Operate the spa cover normally to see if everything is correct. If there is any issue with the cover, please refer to the troubleshooting section of the Owner's manual or call Covana for the Technical Support department.