

PRODUCT MODEL

Oasis Cover

PURPOSE OF THE REPAIR PROCEDURE

This repair procedure should be performed when the replacement of the LED controller is required on the Oasis spa cover.

PREPARATION

- Make sure the parts kit is complete and that parts have not been damaged during transport. Call your local dealer if parts need to be replaced.
- Gather the required tools, as seen in the table at right.

PARTS KIT NO. 226577

1 x LED Wire harness	1 x LED Controller	1 x Light reflecting housing
----------------------	--------------------	------------------------------

TOOLS REQUIRED

Phillips screwdriver	Pliers	36" long level
----------------------	--------	----------------

⚠ CAUTION

Keep in mind that the screws may break or strip if the torque is too much when using power tools.

Version française à la page 4.

⚠ WARNING

This procedure must be performed by a certified Covana installer. **It is mandatory that 2 people perform this procedure** Make sure that the appropriate breaker is at off position in the electrical panel and keep the key out of the key switch socket at all times. The certified Covana installer must keep control of the key during the repair procedure. Derogation from this directive could cause serious injury or damage the cover.

STEP BY STEP PROCEDURE

A- REMOVING THE DEFECTIVE LED CONTROLLER

- 1) Lower the cover (fully closed) and ensure it is sitting on the spa completely.

- 2) Remove the four M6 x 20 mm bolts and 5/16" painted metal washers from each post to separate the cover from its posts.

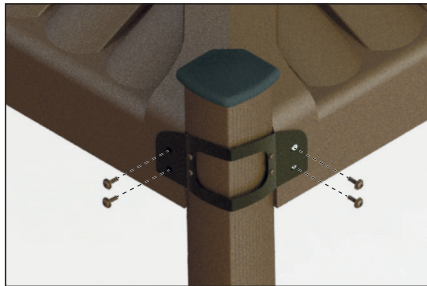


IMAGE 1

Do not discard! Leave the bracket attached to the sleeve.

- 3) With the help of another person, separate the cover in two parts to be able to remove the outer shell. To do so, push inwards on the steel frame of the inner shell; this will clear the metal inserts from the outer shell slots to give better leverage (see image 2). Then, carefully lift the outer shell from the cover and put it aside, in a safe place.

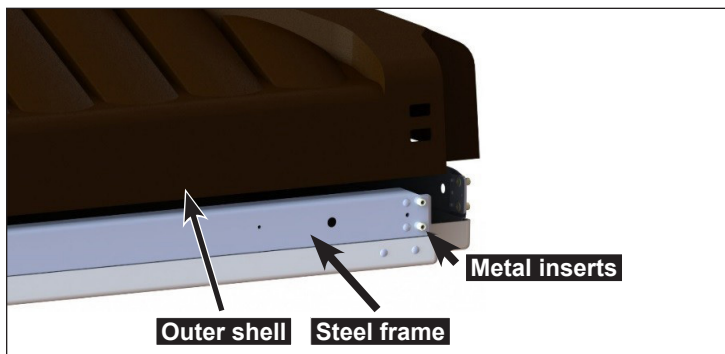


IMAGE 2

⚠ CAUTION

Ensure all the screws from step 2 are removed.

When handling the cover, two people must support the outer shell with both hands. A wide grip is recommended when handling the cover, as all four sides must be lifted equally.

Failure to follow these instructions will cause permanent damage to the outer shell.

- 4) Using a small screwdriver or pliers, remove both light cable hooks and set them aside.

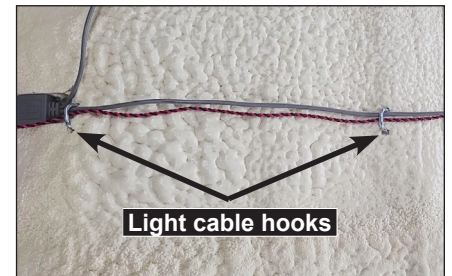


IMAGE 3

- 5) To disconnect the grey connector, press between the letters "R" and "E" from the word "PRESS" with your fingernail (see image 4-A).



IMAGE 4-A



IMAGE 4-B

6) Disconnect the wire harness.



IMAGE 5

7) Unscrew the light reflector housing. Discard the defective LED controller, housing, and cables.



IMAGE 6

2) Turn the light reflector housing to lock it in place on the LED controller.



IMAGE 9

3) Screw the light reflector housing on top of the inner shell.



IMAGE 10

B- INSTALLING THE NEW LED CONTROLLER

ID	DESCRIPTION
A	Wire harness
B	LED controller
C	Light reflecting housing

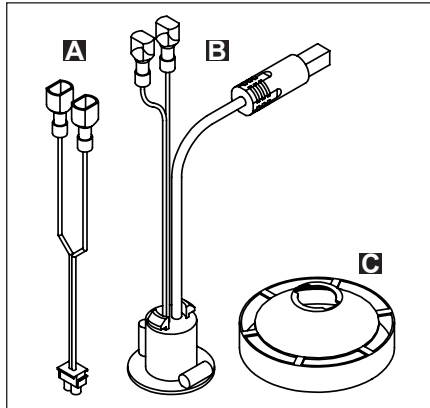


IMAGE 7

1) Run the red and black wire through the center of the light reflector housing (image 8-A) followed by the grey cable (image 8-B). Pull both wires until the LED controller reaches the light reflector housing.



IMAGE 8-A

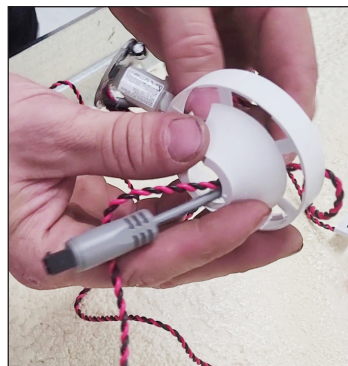


IMAGE 8-B

4) Connect the LED controller (B in image 7) to the light harness.



IMAGE 11

5) Connect the red wire connectors of the wire harness (A in image 7) with those of the LED controller (B in image 7); **black with black, and red with white.**

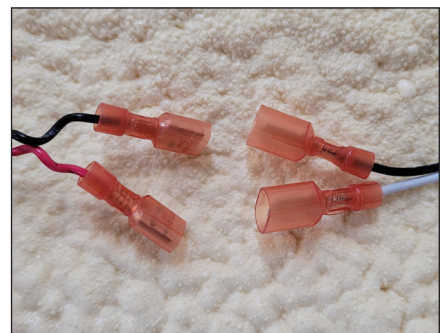


IMAGE 12

6) Connect the wire harness (A in image 7) to the light harness.



IMAGE 13

- 7) Reinstall both light cable hooks making sure **not to reuse the previous holes.**



IMAGE 14

- 8) Put the power back on.
9) Push the push-button to ensure the lights are working. If everything is correct, turn off the lights and proceed with the reinstallation of the outer shell (section C).

C- REINSTALLING THE OUTER SHELL

- 1) Slide the outer shell back on the inner shell. Ensure no wires are pinched in between both shells and that the inserts from the inner frame are going through the outer shell slots on all four sides of the cover.

⚠ CAUTION

When installing the outer shell, ensure that all the steel frames are inside of it. In addition, check all the metal inserts before continuing.

When handling the cover, two people must support the outer shell with both hands. A wide grip is recommended when handling the cover, as all four sides must be lifted equally.

Failure to follow these instructions will cause permanent damage to the outer shell.

- 2) Fasten the corner bracket to the cover **(following the A to D pattern as shown at right)** with four Phillips M6 x 20 mm bolts and 5/16" painted metal washers per post.

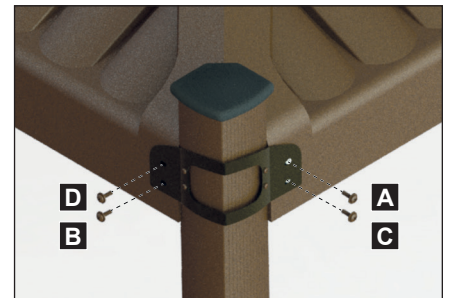


IMAGE 15

- 3) Repeat step 2 for each remaining corner bracket, following the order of installation **(1 to 4)** as shown at right.

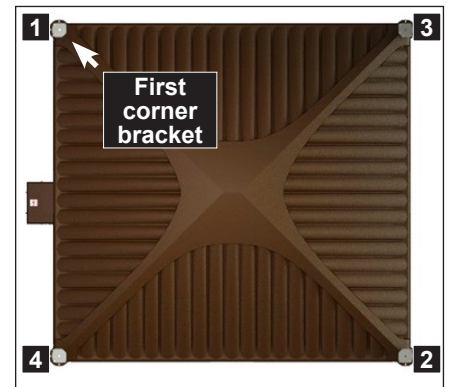


IMAGE 16

- 4) Verify the installation of each bracket by sliding the middle sleeve up and down by hand. Make sure it slides without scratching or interfering with the inner or outer sleeve. If all seems to function properly, lower the cover and check if the sleeves are level using a 36" level on both sides of the sleeves.
- 5) Put the key back in its key switch socket. Operate the spa cover normally to see if everything is correct. If there is any issue with the cover, please refer to the troubleshooting section of the Owner's manual or call Covana for the Technical Support department.