

PRODUCT MODELS

- Evolution Cover with **G3 Posts** only
- Oasis Cover with **G3 Posts** only

PURPOSE OF THE REPAIR PROCEDURE

This repair procedure should be performed if a red alignment bracket needs to be replaced on the Evolution or Oasis spa cover.

PREPARATION

- The cover must be closed.
- Make sure the parts kit is complete and that parts have not been damaged during transport. Call your local dealer if parts need to be replaced.
- Gather the required tools, as seen in the table at right.

TOOLS REQUIRED

7/32" Allen key	Robertson screwdriver
-----------------	-----------------------

PARTS KIT NO. 233461

4 x Alignment bracket	4 x 10-24 x 1/2" Slotted hexagonal screw
-----------------------	--

Version française à la page 4.

⚠ CAUTION

Do not use power tools, some parts are fragile and may break under too much torque.

⚠ WARNING

This procedure must be performed by a certified Covana installer.

Keep the key out of the key switch socket at all times. The certified Covana installer must keep control of the key during the repair procedure. Derogation from this directive could cause serious injury or damage the cover.

NOTE

All images shown are for illustration purpose only. Actual product may vary due to the different models this procedure is intended for.

STEP BY STEP PROCEDURE

SCENARIO #1- ALIGNMENT BRACKET UNINTENTIONALLY REMOVED

NOTE

If the alignment bracket (D in image 1) has been removed by mistake (e.g., while unpacking the cover from the crate), continue the installation without the bracket **until it is time to remove the jack lock screws, right before sliding the sleeves over all four jacks**. Then, follow the instructions below.

- 1) Once all the drive shafts are installed, the jack lock screws located at the top of the non-motor-side jacks can safely be removed. Remove the M8 x 50 mm jack lock screws (A in image 1) and keep them for future use.
- 2) Unscrew the 3/8" x 1" socket screw (B in image 1) with a 7/32" Allen key on the top of all four jack assemblies. Set the screws and bushings (C in image 1) aside.

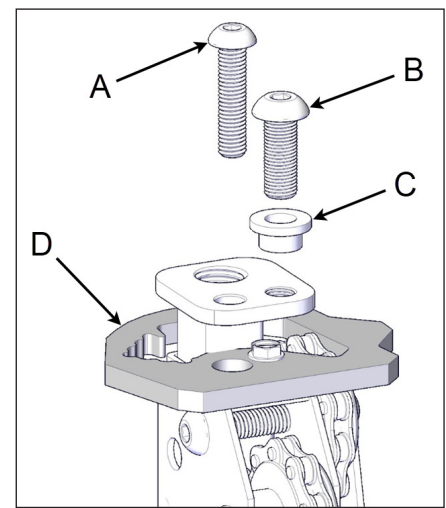


IMAGE 1

ID	DESCRIPTION
A	M8 x 50 mm Jack lock screw
B	3/8" x 1" Socket screw
C	Bushing
D	Alignment bracket (Red)

- 3) Use the key switch to raise the cover approximately 10".

- 4) Align the holes of the alignment bracket with the holes on the top of the jack, and the square opening with the driving shaft.

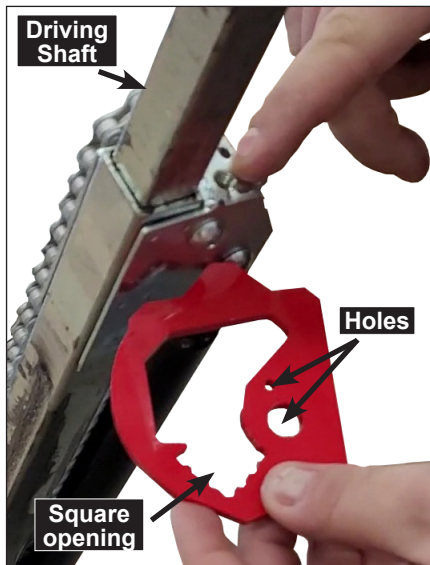


IMAGE 2

- 5) Slide the alignment bracket over the jack.



IMAGE 3

- 6) Slightly squeeze while rotating the alignment bracket so that it snaps onto the top of the jack.

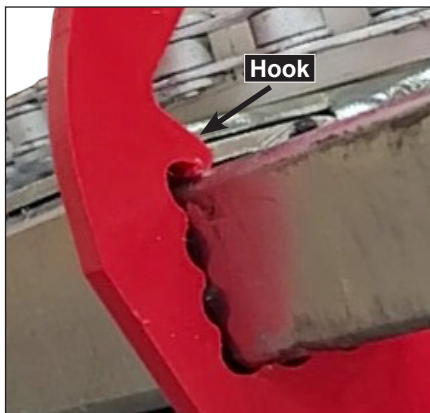


IMAGE 4

- 7) The hook of the alignment bracket must lock in place on the driving shaft.

- 8) Secure the alignment bracket to the jack using one 10-24 x 1/2" slotted hexagonal screw in the smallest hole.

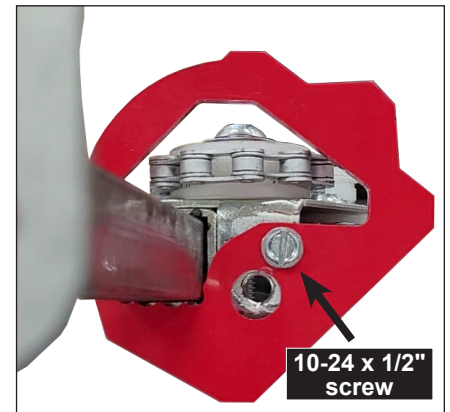


IMAGE 5

- 9) Continue the regular installation of the cover as seen in the Owner's manual.

SCENARIO #2- DEFECTIVE ALIGNMENT BRACKET

- 1) Lower the cover (fully closed) and ensure it is sitting on the spa completely.

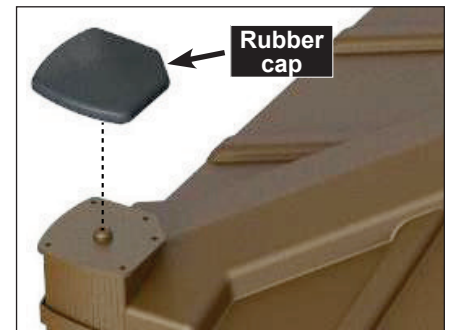


IMAGE 6

- 2) Remove the rubber cap from the defective post only.

- 3) Remove the 3/8-24 x 1" Allen bolt with a 7/32" Allen key from the defective post only.
Do not discard!



IMAGE 7

- 4) Remove the five no. 8 x 3/4 screws from the defective post only using a Robertson screwdriver to remove the top plate.
Do not discard!

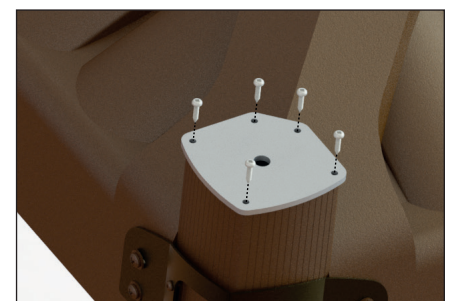


IMAGE 8

- 5) Use the key switch to raise the cover approximately 10".

⚠ CAUTION

The cover will operate using only 3 of its 4 posts. **Do not operate the cover with less than 3 posts.**

- 6) Align the holes of the alignment bracket with the holes on the top of the jack, and the square opening with the driving shaft.

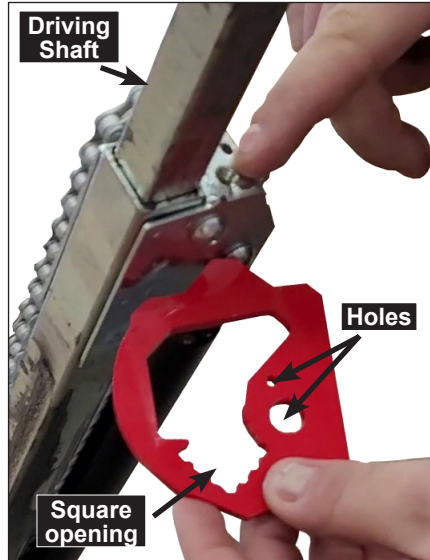


IMAGE 9

- 7) Slide the alignment bracket over the jack.



IMAGE 10

- 8) Slightly squeeze and rotate the alignment bracket so that it snaps onto the top of the jack.



IMAGE 11

- 9) The hook of the alignment bracket must lock in place on the driving shaft.

- 10) Secure the alignment bracket to the jack using one 10-24 x 1/2" slotted hexagonal screw in the smallest hole.

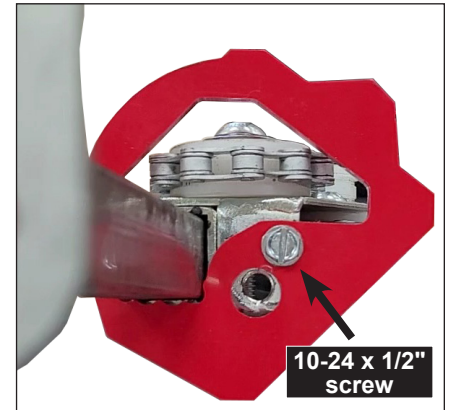


IMAGE 12

- 11) Lower the cover (fully closed) and ensure it is sitting on the spa completely.

- 12) Make sure the all-weather seal on each post is slid all the way down against the outer sleeve.

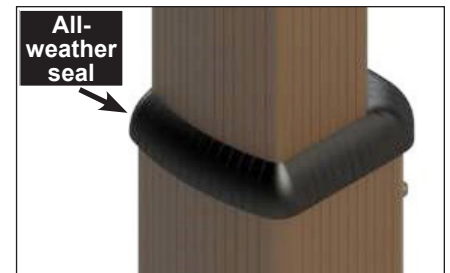


IMAGE 13

⚠ WARNING

Failing to properly position this seal may cause serious damage to the post mechanism.

- 13) Using a Robertson screwdriver, fasten the top plate to the post using the five previously removed screws (see image 8).
- 14) Reinstall the 3/8-24 x 1" Allen bolt with the narrow part of the bushing facing downwards using a 7/32" Allen key on the post (see image 7).
- 15) Install the rubber cap on the post (see image 6).
- 16) Put the key back in its key switch socket. Operate the spa cover normally to see if everything is correct. If there is any issue with the cover, please refer to the troubleshooting section of the Owner's manual or call Covana for the Technical Support department.