

PRODUCT MODEL

Oasis Cover with lighting system

PURPOSE OF THE REPAIR PROCEDURE

This repair procedure should be performed if the replacement of the wire guard harness is required on the Oasis spa cover with lighting system.

PREPARATION

- Make sure the parts kit is complete and that parts have not been damaged during transport. Call your local dealer if parts need to be replaced.

- Gather the required tools, as seen in the table below.

TOOLS REQUIRED	
Phillips screwdrivers	36" long level
Long nose pliers	Masking tape or duct tape

PARTS KIT NO. 225300 (MOCHA) / NO. 225301 (SLATE)		
1 x Wire guard bottom plate	1 x Wire guard top plate	
1 x Cable grip	1 x Grommet	1 x Wire guard harness
1 x Washer	2 x no. 8 x 3/8" Phillips screw	1 x Cord grip

Version française à la page 6.

⚠ CAUTION

Keep in mind that the screws may break or strip if the torque is too much when using power tools.

⚠ WARNING

This procedure must be performed by a certified Covana installer.

Make sure that the appropriate breaker is at off position in the electrical panel and keep the key out of the key switch socket at all times. The certified Covana installer must keep control of the key during the repair procedure. Derogation from this directive could cause serious injury or damage the cover.

STEP BY STEP PROCEDURE

A- REMOVING THE OUTER SHELL

- 1) Lower the cover (fully closed) and ensure it is sitting on the spa completely.

- 2) Remove the four M6 x 20 mm bolts and 5/16" painted metal washers from each post to separate the cover from its posts.

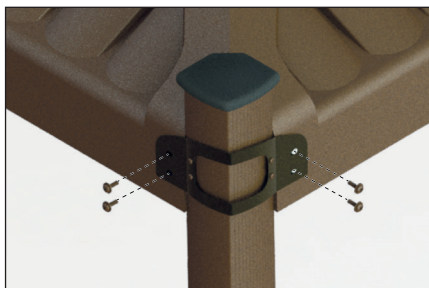


IMAGE 1

Do not discard!
Leave the bracket attached to the sleeve.

- 3) With the help of another person, separate the cover in two parts to be able to remove the outer shell. To do so, push inwards on the steel frame of the inner shell; this will clear the metal inserts from the outer shell slots to give better leverage. Then, carefully lift the outer shell from the cover and put it aside, in a safe place (see image 2).

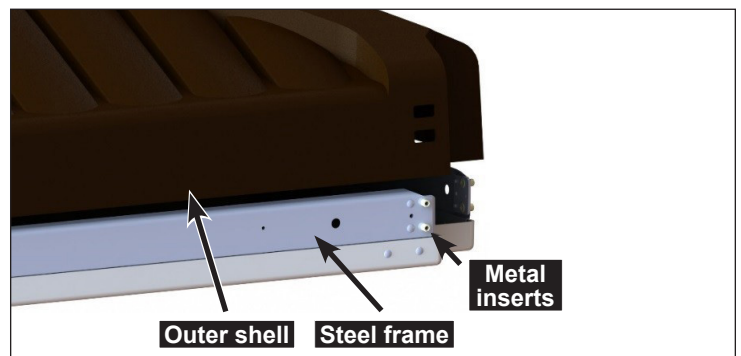


IMAGE 2

⚠ CAUTION

Ensure all the screws from step 2 are removed.

When handling the outer shell, two people must support it with both hands. A wide grip is recommended when handling the outer shell, as all four sides must be lifted equally.

Failure to follow these instructions will cause permanent damage to the cover.

B- REMOVING THE DEFECTIVE WIRE GUARD HARNESS FROM THE INNER SHELL

- 1) Disconnect the lighting system cable.

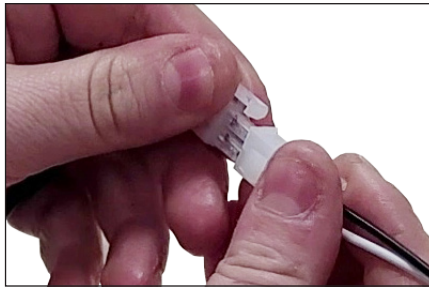


IMAGE 3

- 2) Using a Phillips screwdriver, remove both screws holding the cable grip in place, as well as the three screws holding the vertical pulley in place (see image 4).

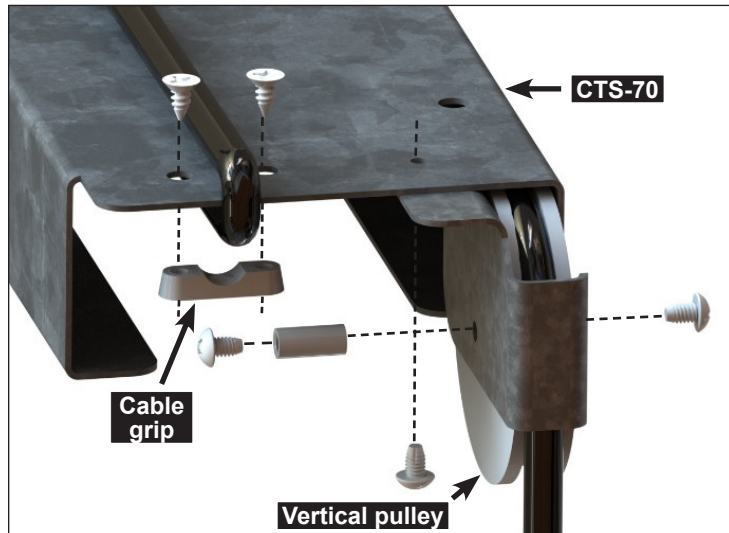


IMAGE 4

- 3) Remove the screw holding the tension carriage spring to the CTS-70.

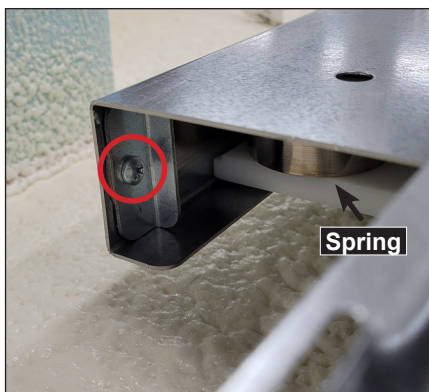


IMAGE 5

- 4) Place your fingers under the CTS-70 to slide the tension carriage out.



IMAGE 6

- 5) Pull the defective cable out of the tension carriage.



IMAGE 7

- 6) Using long nose pliers, pinch the grommet and push it down.

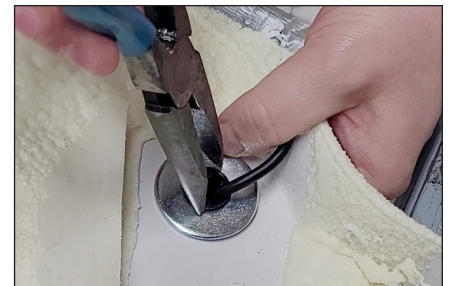


IMAGE 8

- 7) Pull the cable out of the inner shell.

C- REMOVING THE DEFECTIVE WIRE GUARD HARNESS FROM THE WIRE GUARD

- 1) Disconnect the bottom harness from the wire guard connector.

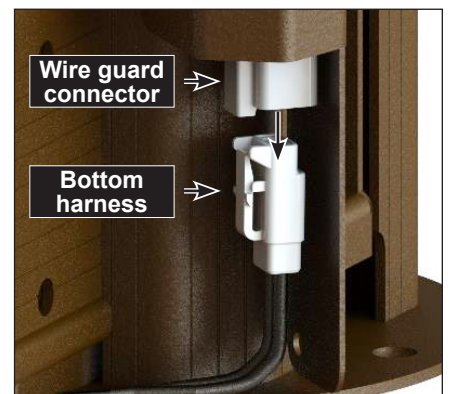


IMAGE 9

- Using a Phillips screwdriver, remove both screws holding the bottom plate to the wire guard.

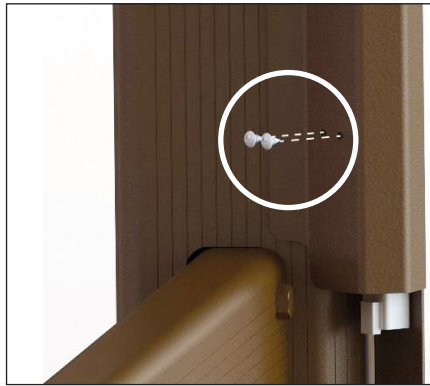


IMAGE 10

- Pull the wire guard bottom plate down. Remove both Phillips flat head screws and pull the cable grip out. Pull the connector down to detach it from the wire guard bottom plate.

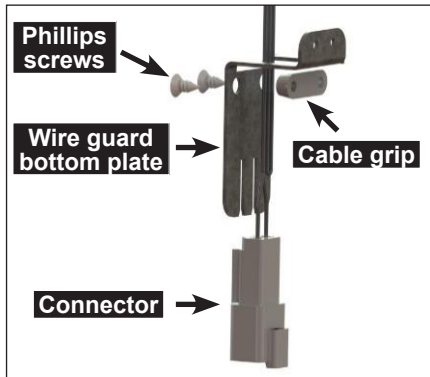


IMAGE 11

- Pull the connector up through the wire guard bottom plate.

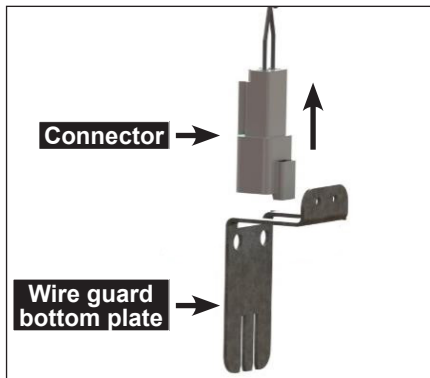


IMAGE 12

- Carefully pull the cable trough the top of the wire guard, aligning the connector with the hole of the magnet holder, so it can go trough without damaging it.

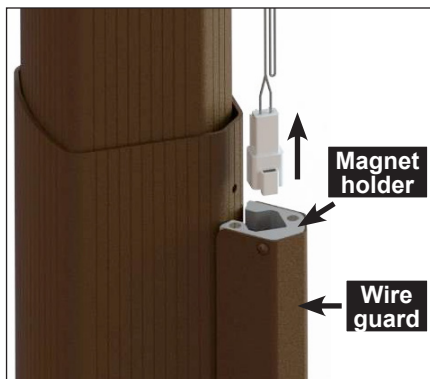


IMAGE 13

CAUTION
Do not remove the magnet holder.

D- INSTALLING THE NEW WIRE GUARD HARNESS IN THE WIRE GUARD

- While holding the loop of the new cable, thread the cable into the wire guard through the magnet holder. All of the cable loop must be threaded into the wire guard.

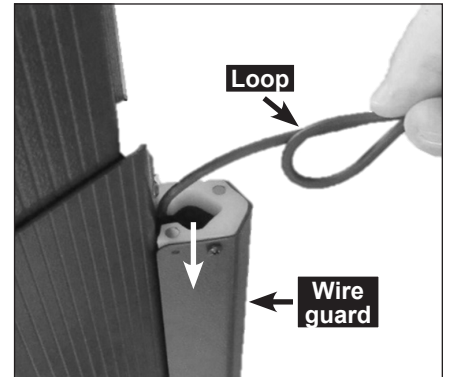


IMAGE 14

NOTE
If the loop gets undone in the process, refer to the Owner's manual "Wire Guard Reassembly" section.

- Insert the bottom plate assembly through the bottom of the wire guard. Secure it to the wire guard using both Phillips round head screws.



IMAGE 15

- Connect the bottom harness to the wire guard connector.

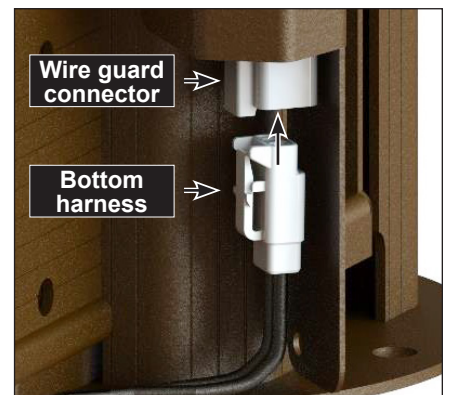


IMAGE 16

- Install the top plate on the wire guard. There are two magnets holding the top plate in place. The cable should have sufficient tension and stand straight.

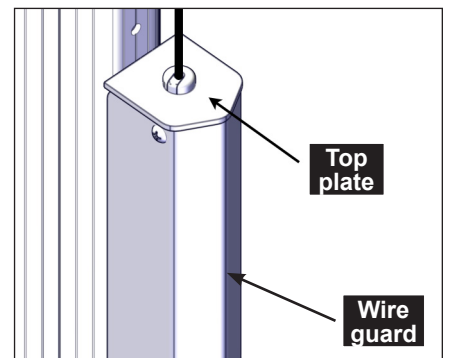


IMAGE 17

E- INSTALLING THE NEW WIRE GUARD HARNESS IN THE INNER SHELL

- 1) Run the new cable through the corner hole of the inner shell, making sure to install the washer and the grommet on the inner side of the shell.

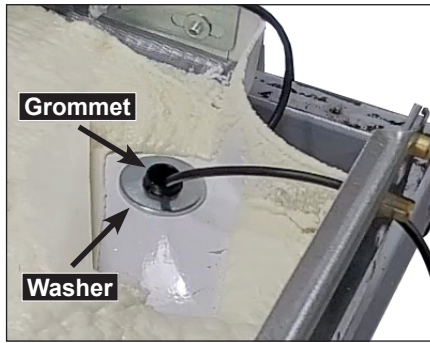


IMAGE 18

- 2) Run the new cable through the tension carriage.

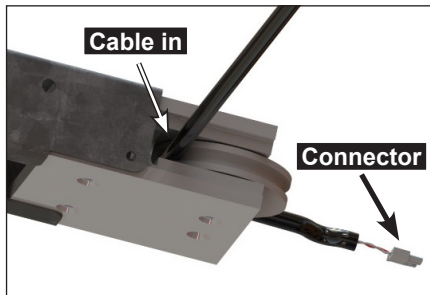


IMAGE 19

CAUTION
Ensure that the cable is in the pulley groove.

- 3) Slide the tension carriage back to its original position and secure its spring to the CTS-70 with the previously removed screw.

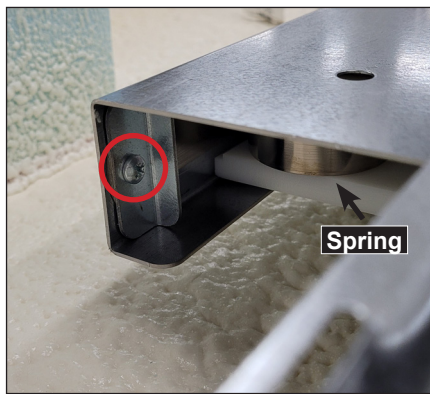


IMAGE 20

NOTE
Manually slide the tension carriage approximately 2", then release it to make sure it returns to its original position. If not, review step 3 to make sure the spring is properly secured.

- 4) Secure the vertical pulley to the CTS-70 using the standoff and three screws as illustrated in image 21. Ensure the new cable is going through the groove of the vertical pulley and through the pulley of the CTS-70.

Install the cable grip on the cable going to the LEDs **without tightening the screws**. Only tighten the screws about a half turn to let the cable move freely, see image 21.

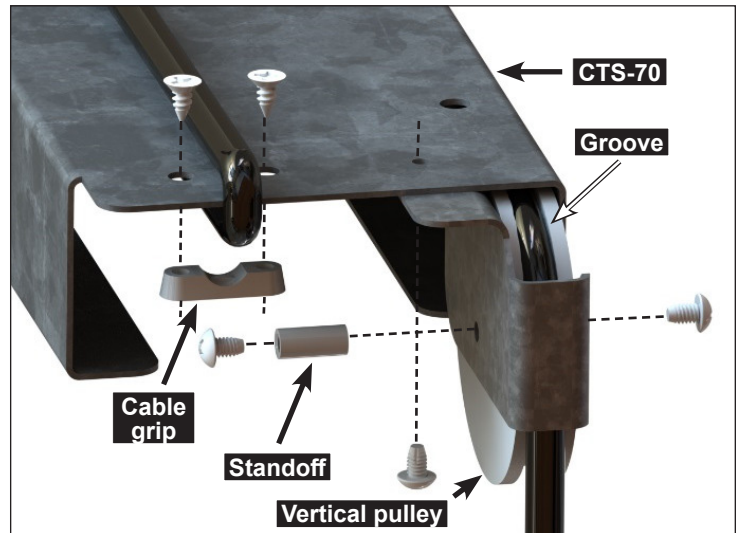


IMAGE 21

CAUTION
Do not tighten the cable grip screws yet. Handle the cable with care as it could get damaged on the sharp edges of the CTS-70.

- 5) Pull the tension carriage a few inches and insert a screwdriver in the hole at the end of the CTS-70, all the way through to the foam.

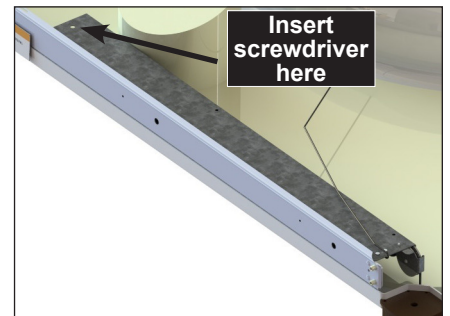


IMAGE 22

CAUTION
Ensure the screws holding the cable grip in place are loose enough to let the cable move freely.

- 6) Pull the cable going to the LEDs until it is tensioned but without making the tension carriage move. Then, tighten the screws of the cable grip.

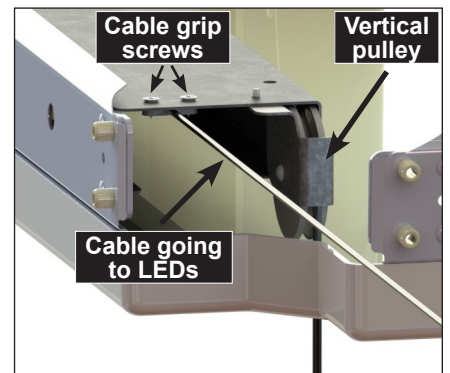


IMAGE 23

- 7) Remove the screwdriver to release the tension carriage. This will ensure a constant tension in the cable.

- 8) Flip what's left of the cable on top of the CTS-70 and use tape to hold it in place.

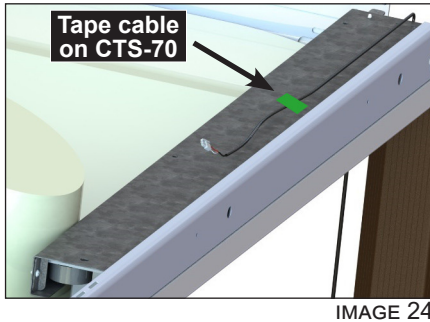


IMAGE 24

- 9) Bring the light harness all the way to the CTS-70 and connect both cables together.

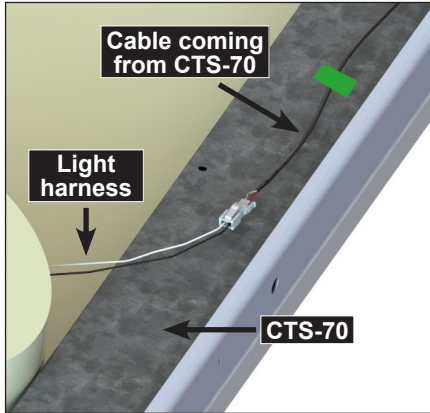


IMAGE 25

- 10) Before moving on to the next step, turn the power back on and press the push button to make sure the lights are working.
Then, turn the power off.

F- REINSTALLING THE OUTER SHELL

- 1) Install the outer shell on the inner shell. Ensure no wires are pinched in between both shells and that the inserts from the inner frame are going through the outer shell slots on all four sides of the cover.

⚠ CAUTION

When installing the outer shell, ensure that all the steel frames are inside of it. In addition, check all the metal inserts before continuing.

When handling the cover, two people must support the outer shell with both hands. A wide grip is recommended when handling the outer shell, as all four sides must be lifted equally.

Failure to follow these instructions will cause permanent damage to the cover.

- 2) Fasten the corner bracket to the cover (following the A to D pattern as illustrated at right) with four Phillips M6 x 20 mm bolts and 5/16" painted metal washers per post.

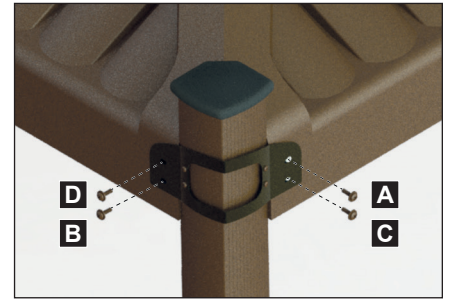


IMAGE 26

- 3) Repeat step 2 for each remaining corner bracket, following the order of installation (1 to 4) as seen at right.

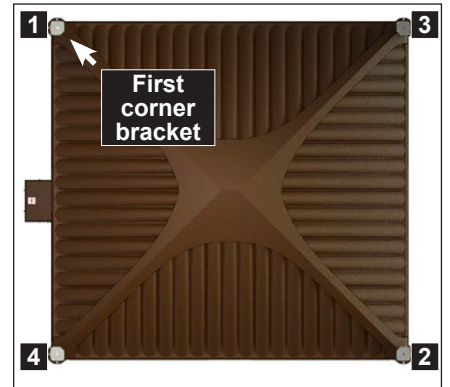


IMAGE 27

- 4) Put the power back on and the key back in its key switch socket. Raise the cover halfway to verify the installation of each bracket by sliding the middle sleeve up and down by hand. Make sure it slides without scratching or interfering with the inner or outer sleeve. If all seems to function properly, lower the cover and check if the sleeves are level using a 36" level on both sides of the sleeves.
- 5) Operate the spa cover normally to see if everything is correct. If there is any issue with the cover, please refer to the troubleshooting section of the Owner's manual or call Covana for the Technical Support department.